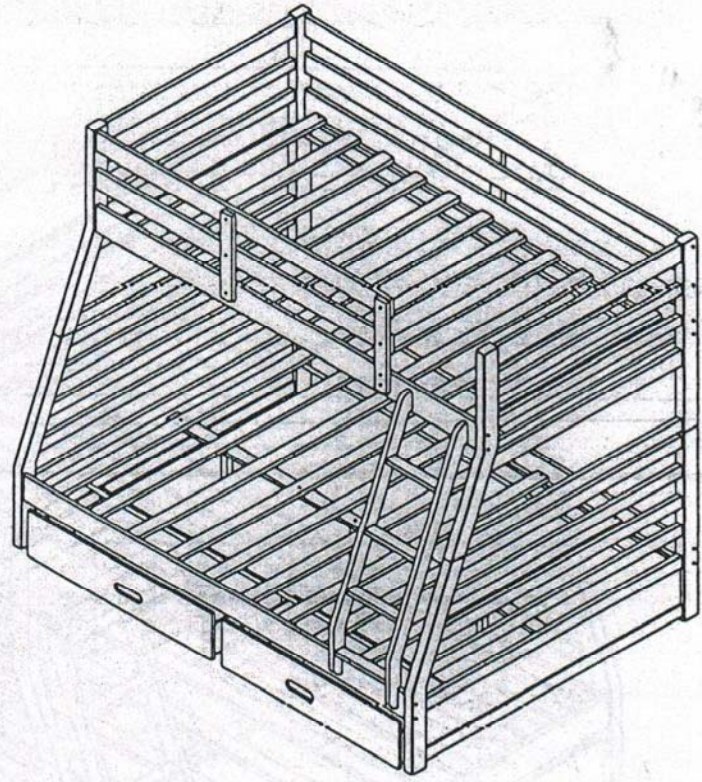


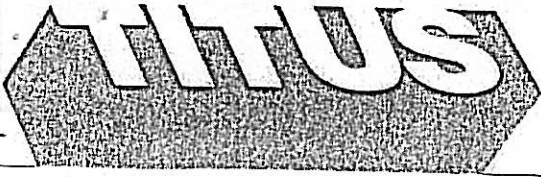
	SEPARER LA LISTE	Q'TE	SEPARER LA LISTE	Q'TE
1		1PC	16	4PCS
			17	2PCS
2		1PC	18	2PCS
			19	2PCS
			20	1PC
			21	3PCS

3		1PC
4		1PC
5		1PC
6		1PC
7		2PCS
8		2PCS
9		2PCS
10		1PC
11		2PCS
12		10PCS
13		10PCS
14		1PC
15		2PCS



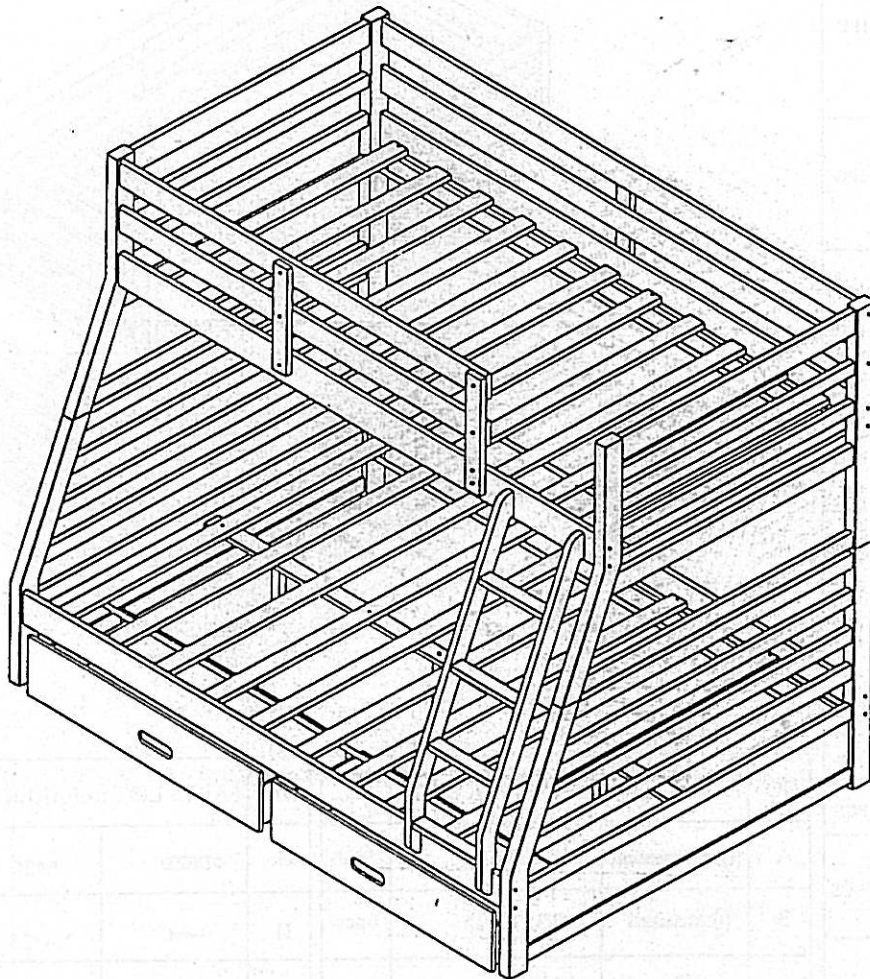
NO	PARTS LIST SEPARER LA LISTE	Q'TY Q'TE	NO	PARTS LIST SEPARER LA LISTE	Q'TY Q'TE
A	1/4*90*15	16pcs	G	6*30	8pcs
B	6.3*75*15	6pcs	H	4*25	20pcs
C	1/4*13	16pcs	I	9*90	4pcs
D	1/4*35*13	4pcs	J	4*59	1pc
E	1/4*30*13	4pcs	K	10*40	6pcs
F	4*30	26pcs	L	4*40	3pcs

T 2700 - new
w. chr. support



ASSEMBLY INSTRUCTION

Item No: ARTICLE: T2700



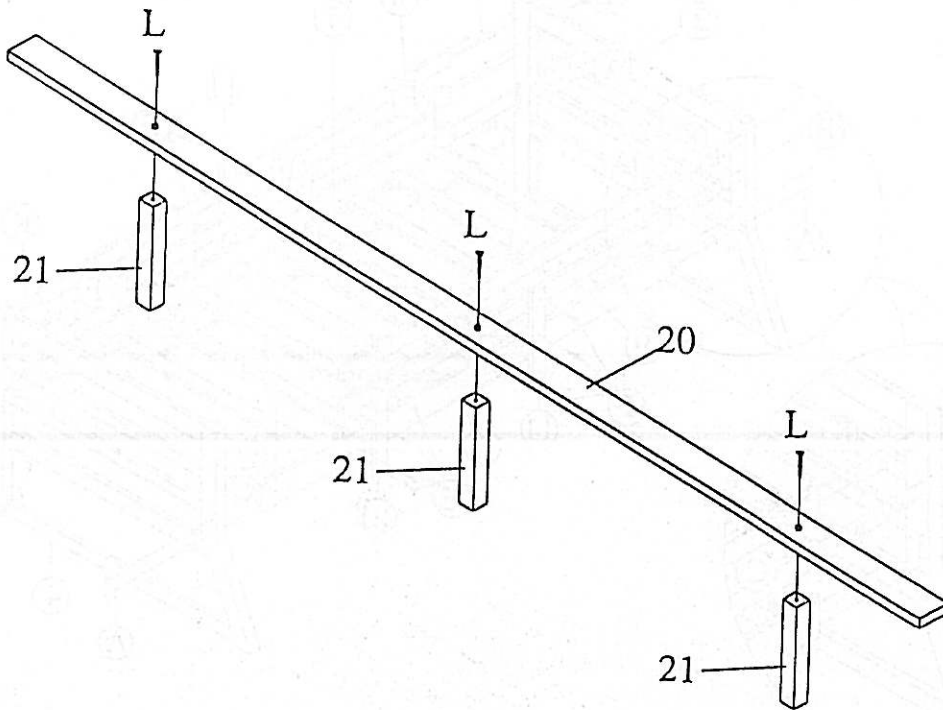
ASSEMBLY RATING

The Assembly Rating is a 5-point system that shows the degree of effort needed in assembling a specific product (with 1 being easy and 5 being relatively difficult). For some products, two persons are recommended.

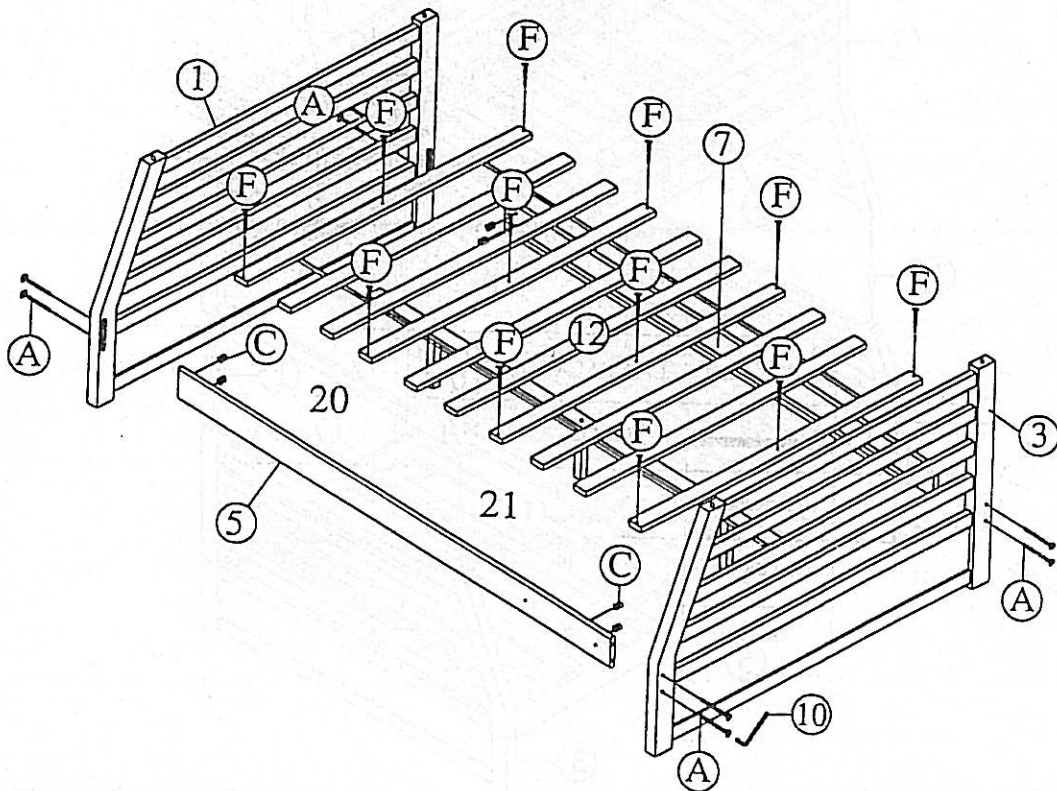


*2 persons recommended

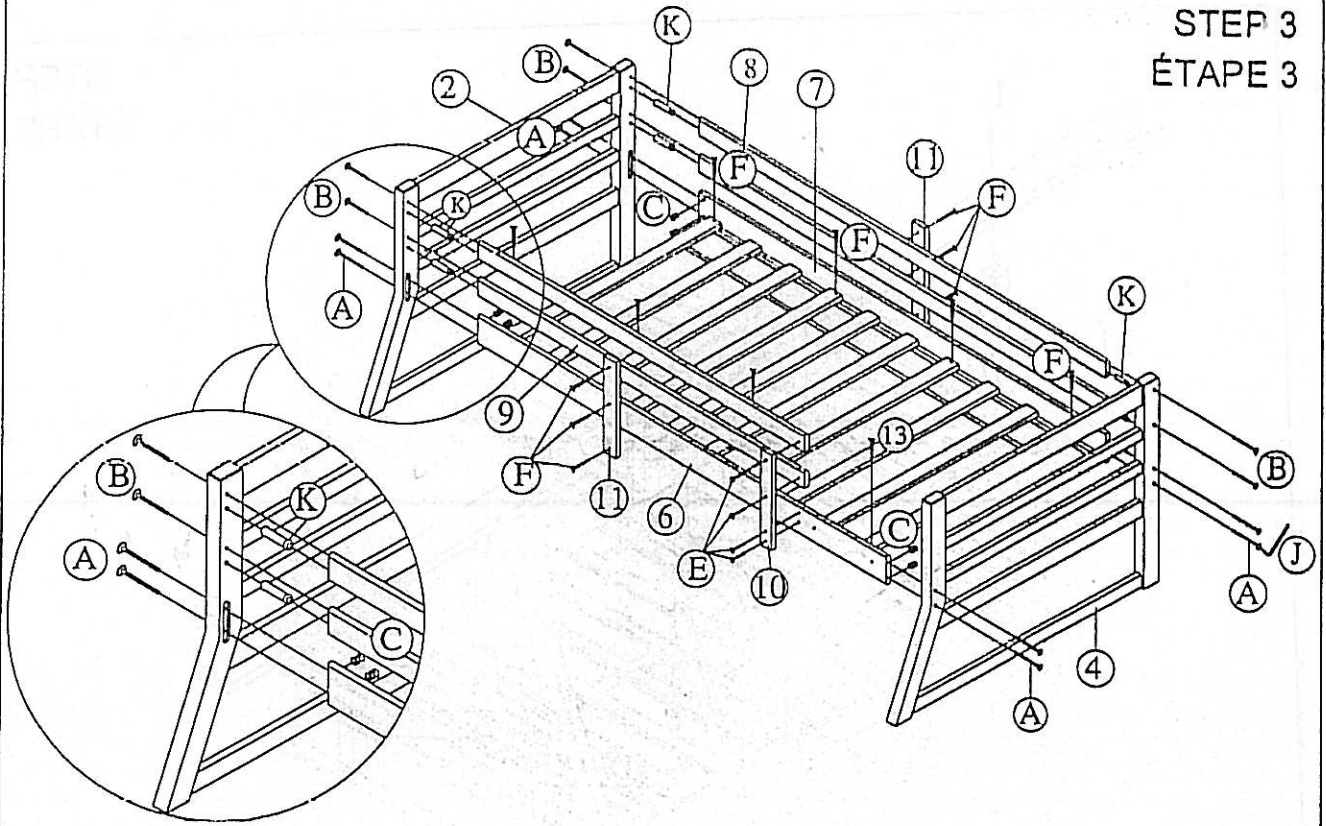
STEP 1
ÉTAPE 1



STEP 2
ÉTAPE 2



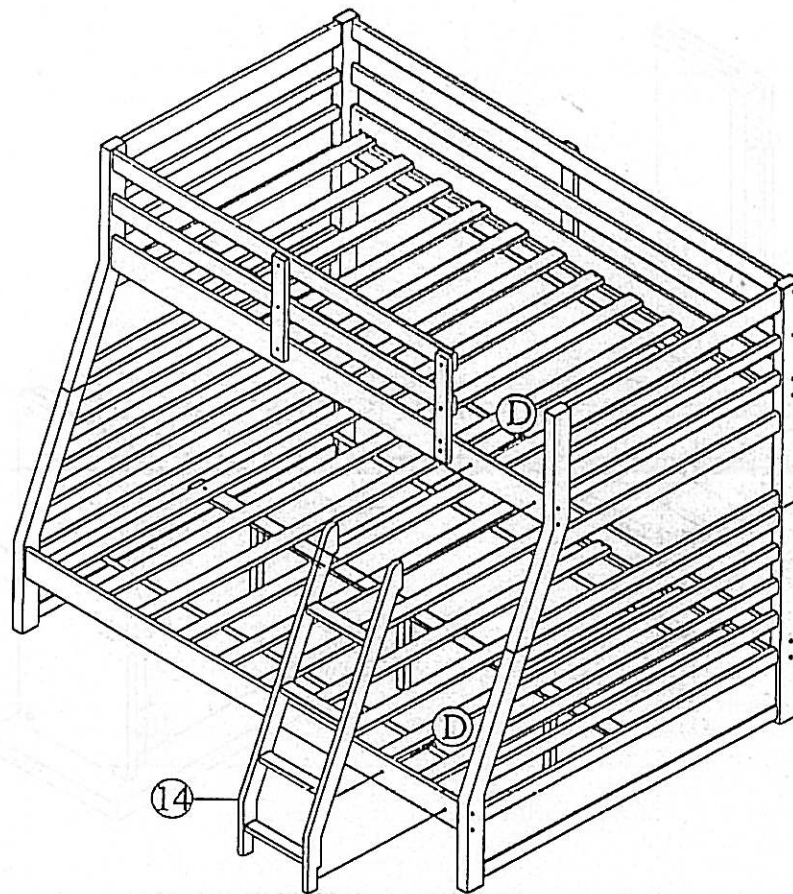
STEP 3
ÉTAPE 3



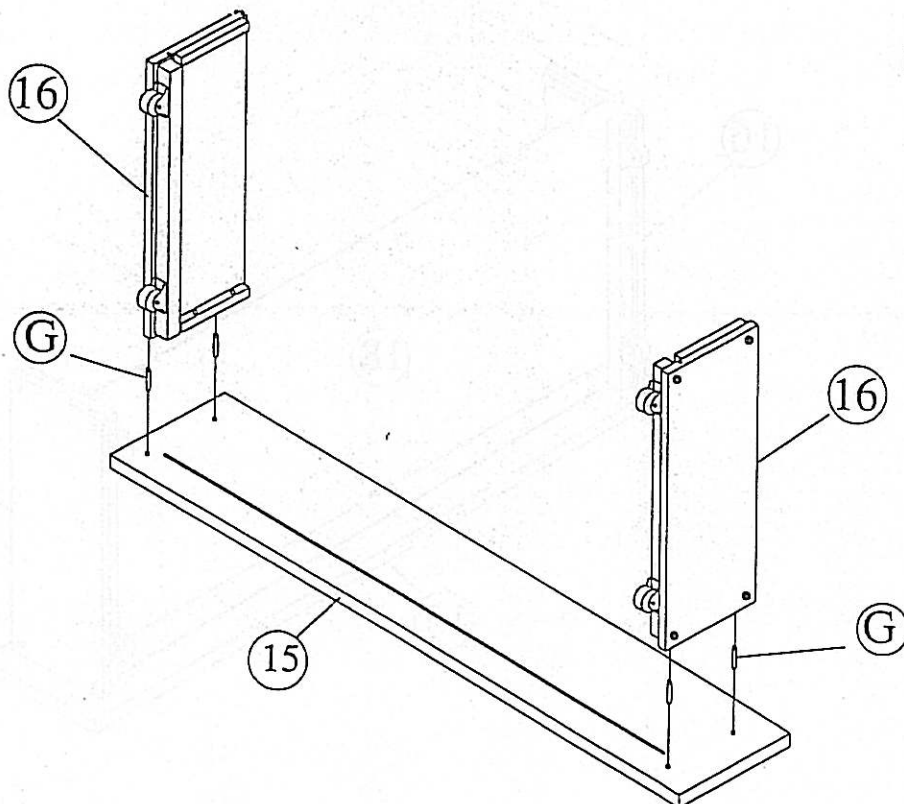
STEP 4
ÉTAPE 4



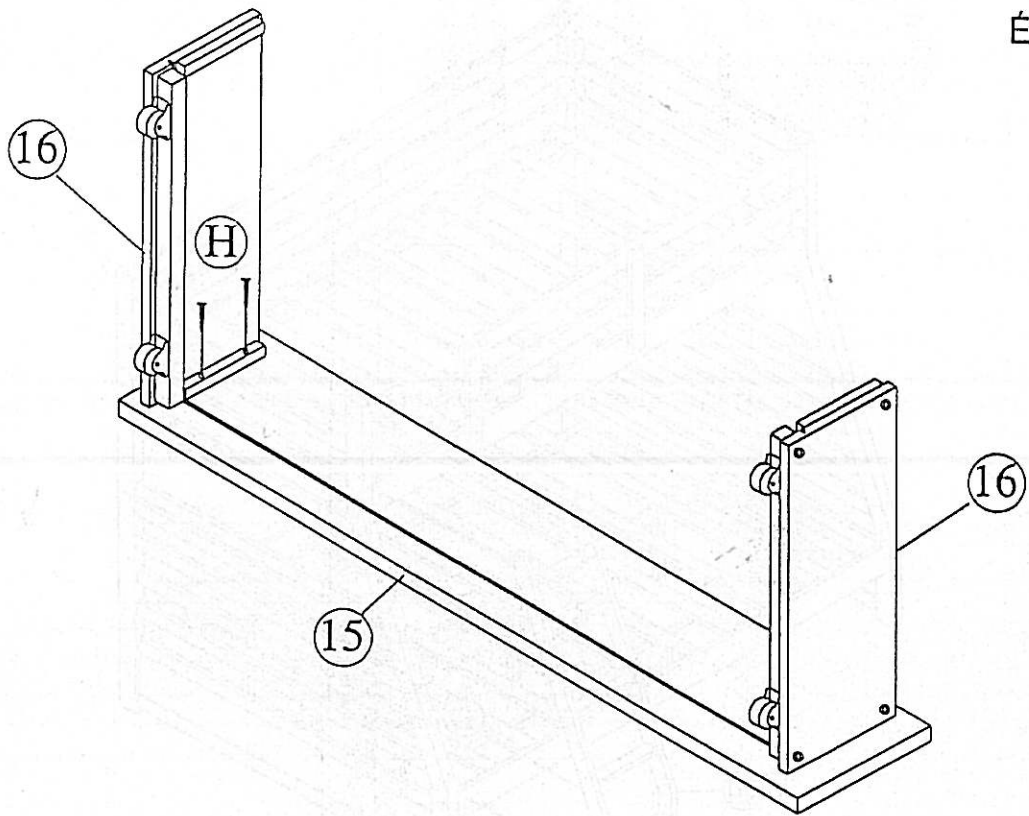
STEP 5
ÉTAPE 5



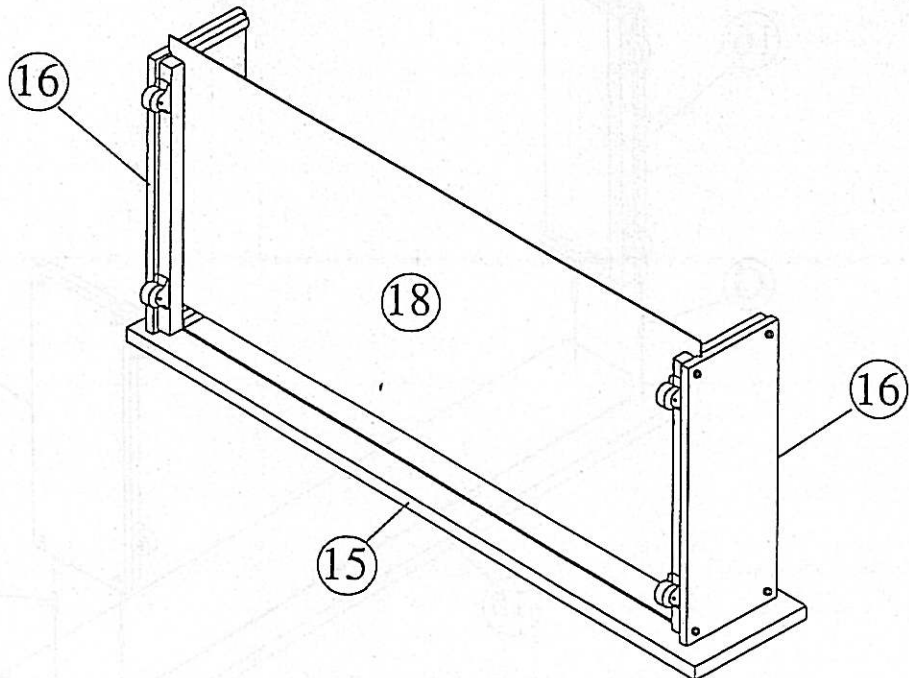
STEP 6
ÉTAPE 6



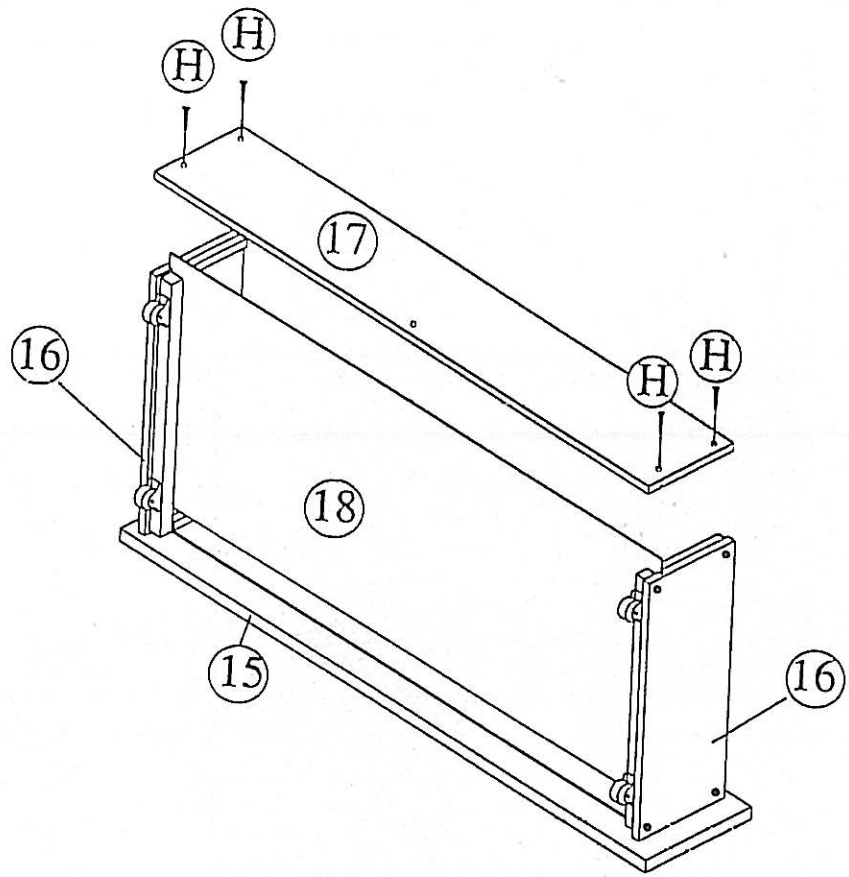
STEP 7
ÉTAPE 7



STEP 8
ÉTAPE 8



STEP 9
ÉTAPE 9



STEP 10
ÉTAPE 10

